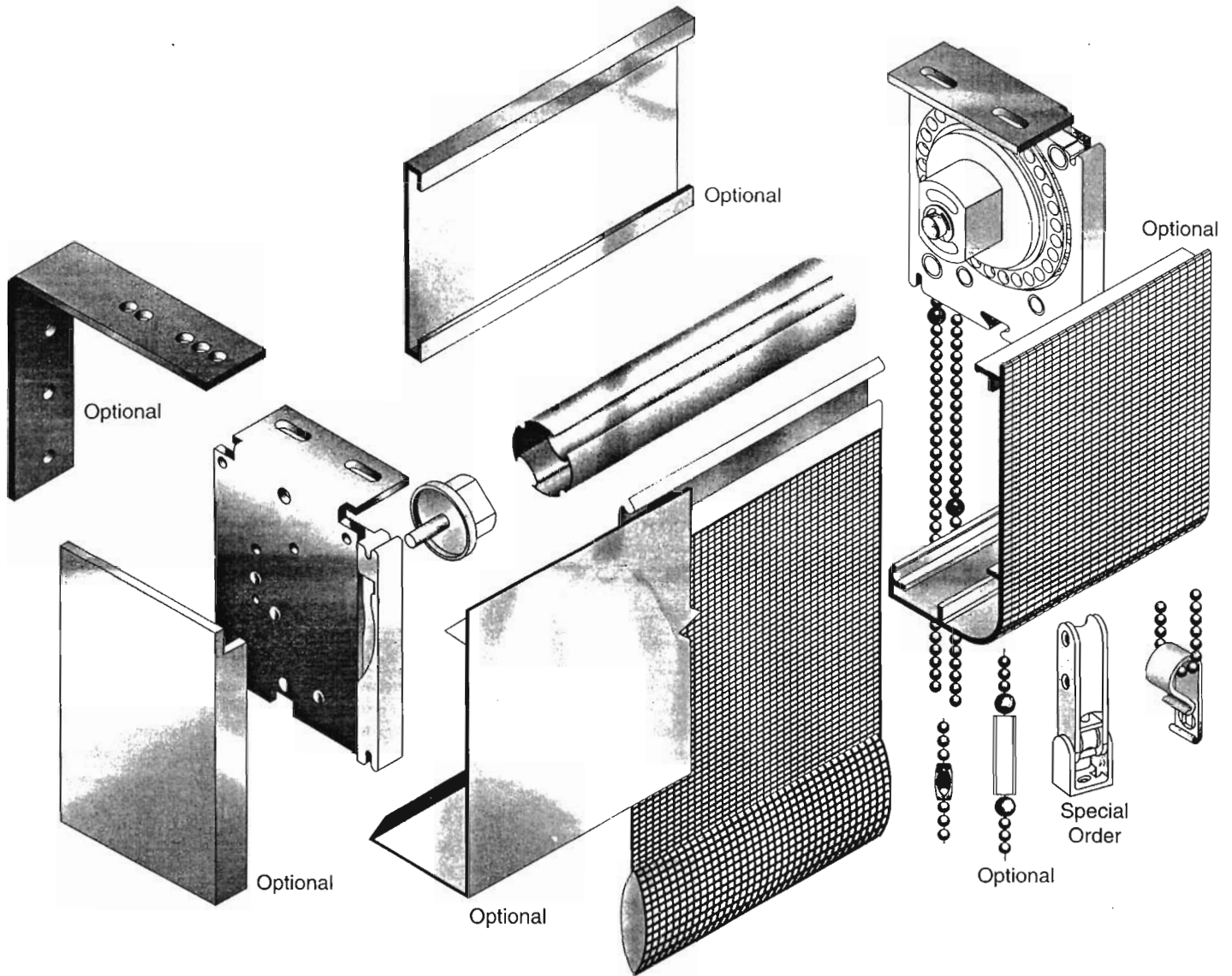


Mecho®/5

An Installation
Guide



 **MechoShade®**

MechoShade Systems, Inc.
42-03 35th Street, Long Island City, NY 11101
Telephone: 718-729-2020 • Fax: 718-729-2941/800-899-8081

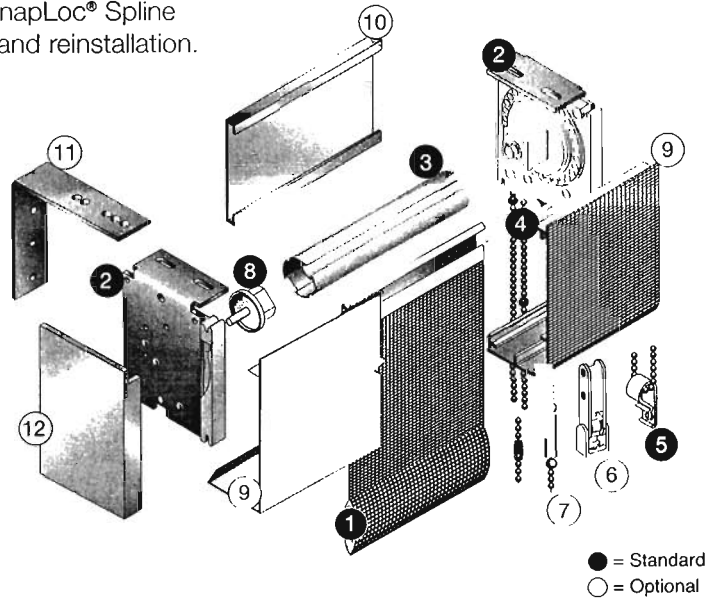
www.mechoshade.com

Mecho®/5 Parts, Components and Optional Accessories

Overrunning clutch operated system, requires no adjustment, utilizing rust resistant components in conjunction with Delrin™ Sprocket and Housing. Operated via a 90 lb. test stainless steel chain.

The Roller Tube consists of extruded aluminum tube with SnapLoc® Spline mounting system, to facilitate ease of ShadeCloth removal and reinstallation.

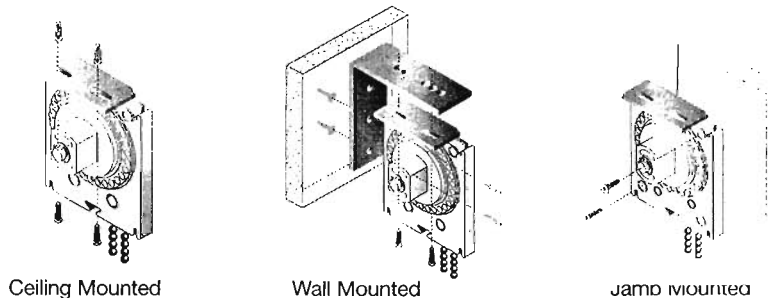
- 1) MechoShade Band with SnapLoc® Spline
- 2) Interchangeable Jamb or Ceiling Mounted Drive and Idle End Brackets plus optional Wall Brackets
- 3) 1-1/4"; 1-1/2"; 1-7/8"; 2-1/8" SnapLoc® Tubes
- 4) Stainless Steel Chain with Bead Stop
- 5) Standard Chain Retainer
- 6) Spring-Tensioned Chain Retainer* (Optional)
- 7) Heavy-Duty Shock Absorber (Optional)
- 8) Idle End Plugs with Shaft Pins
- 9) Regular Roll SnapLoc® Fascia (Optional)
- 10) Reverse Roll SnapLoc® Fascia (Optional)
- 11) Wall Brackets (Optional)
- 12) End Caps (Optional)



*Recommended for Public use and Shades weighing over 10 lbs.

Installation of Brackets

MechoShade® Brackets are universal for ceiling or jamb mounting**. Wall brackets (as shown) are required for Wall Mounting. They are optional and must be ordered. Brackets must be securely installed for hand-chain operation with an estimated pull-force of not less than 30 lbs. with a 2X Safety Factor.



Ceiling Mounted

Wall Mounted

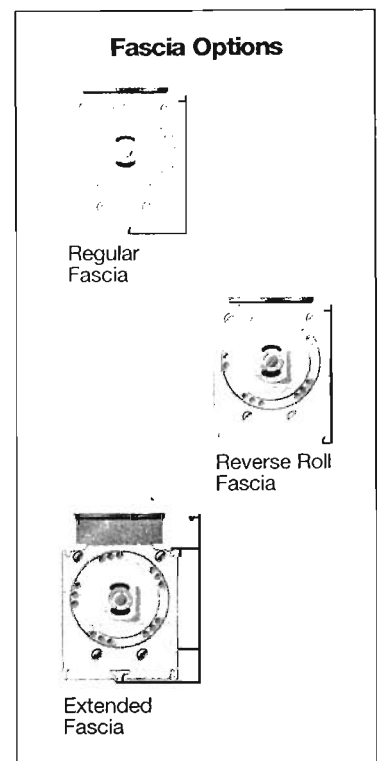
Jamb Mounted

Install Drive-End bracket on the appropriate side for either right or left hand operation. Insure that chain splice is positioned properly (next to the stop bead): Regular Roll Shades, fabric is toward the window, or for Reverse Roll Shades, fabric is toward the room.

Ceiling mounted shades. Place brackets on the ceiling so that they are square to the window and properly aligned and level to each other.

Wall mounted shades. For wall mount conditions, optional wall-mount angles are required. These angles are attached to the top flange of the Mecho/5 brackets. Secure the Mecho Brackets to the wall brackets via the threaded holes in the wall bracket at the top bracket, screws provided. Brackets must be level. Locate the brackets at the appropriate site on the wall. Mount both brackets to the wall, level and aligned.

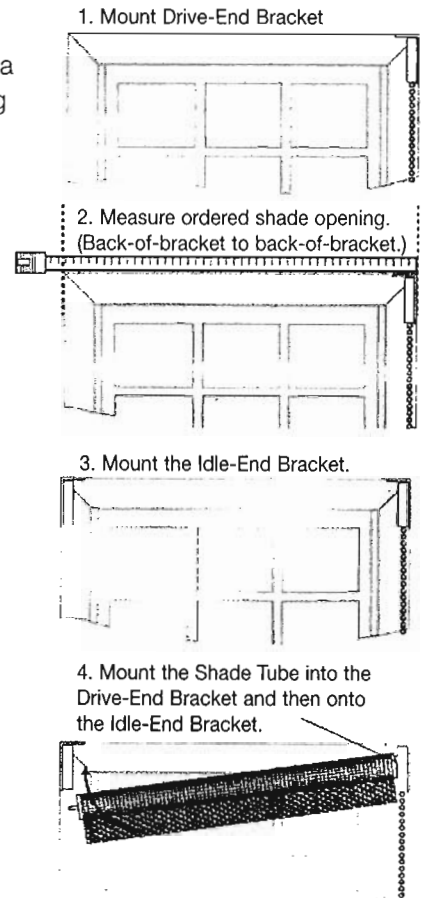
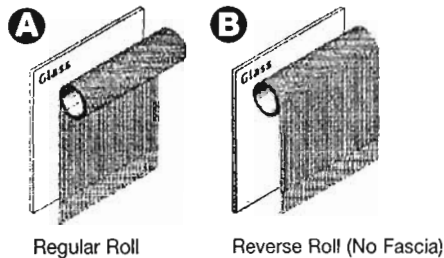
Jamb mounted shades. Remove (drill) two rivets from the brackets to facilitate round-head counter-sunk mounting screws. Once the rivets are removed, screw through these holes directly through the bracket into the jamb. Check to see that the brackets are square to the window and properly aligned and level to each other.



1. Install the Drive-End Bracket on appropriate side for right or left hand operation and for the type of mounting desired as shown on the illustration #1 on the right; i.e. Regular roll (fig. A) or Reverse roll (fig. B). It is required that you attach the bracket to a secure mounting surface using the appropriate type of fastener for that surface taking into consideration the size and weight of the shade you are mounting.
2. Measure the ordered shade opening size (back of bracket to back of bracket) to determine the position of the Idle-End Bracket (fig. 2).
3. Mount the Idle-End Bracket for the type of mounting desired (fig. 3).
4. Installation of the Shade & Tube. Make sure the shadecloth (fabric) is tightly wound up around the tube and that the shadecloth is wound in the proper direction around the tube: Regular Roll shades, unroll towards the window (fig. A), Reverse Roll shades unroll towards the room, away from the window (fig. B).

To install the tube:

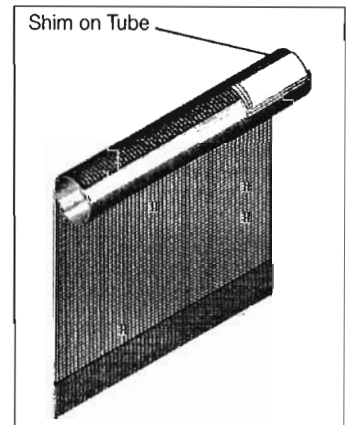
Slide OPEN END of the shade tube over the shaft on the Drive-End Bracket. Hold tube flush to the face of the bracket. Swing the Idle-End of the shade tube under the Idle-End bracket. Lift the shade tube up, and pull forward so that you can slide the end plug pin into the vertical slot in the Idle-End bracket bearing block.



Leveling Shades

Shimming the Tube & Fabric for Minor Adjustments

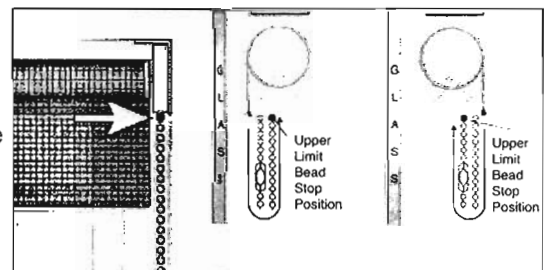
If the shade does not track straight, it may be necessary to shim the shade tube. Unroll the shade fully and affix a small piece of duct tape to the shade tube to build up the diameter. Always place the shim on the side opposite to the shade fabric's telescoping direction. If the shade can not be shimmed with duct tape, it will be necessary to use the plastic shims. Note: Shims can not be used if the brackets are jamb mounted. If not level, one of the brackets must be repositioned. One or more shim should be inserted between the bracket and the ceiling or wall mount angle to level the shade tube. After using the plastic shims, it may be necessary to perform minor shimming using duct tape. Shim the tube at the end opposite the direction that the shade is tracking, telescoping towards.



Setting the Limit Beads

Upper Stop Position

To set the upper stop position, first put the shade in the desired "open/full up" position. Then place a stop bead over the bead of the chain directly below the bracket. For Regular Roll, this would be the chain on the window side, and for Reverse Roll, this would be the chain on the room side. Squeeze stop bead closed with pliers. Make sure that the chain splice is located on the window side chain when the shade is in the open/full up position.



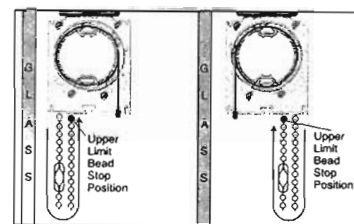
Top Limit Bead Position for Regular and Reverse Roll Shades.

Lower Stop Position

To set the lower stop position, first put the shade in the desired "closed/full down" position. Then place a Stop Bead over the bead directly below the bracket. For Regular Roll, this would be with the chain on the room side, and for Reverse Roll, this would be with the chain on the window side. Then squeeze the Stop Bead closed with pliers.

Intermediate Stops

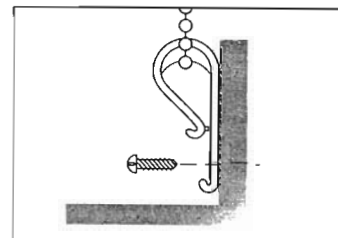
Intermediate stop beads are required when you want the shades to align at specific pre-determined intermediate positions. First fasten the plastic bead keeper into the wall or jamb in an accessible position. Then crimp additional stop beads onto the chain wherever the predetermined stops are desired.



Lower Limit Bead Position for Regular and Reverse Roll Shades.

Installing the Chain Retainer (Required)

The Chain Retainer must be installed on all manual shades to prevent possible child strangulation. You can either screw it directly to the jamb or screw it to the wall or sill using the base. Attach safety labeling as required by your locality.



Installing the Chain Retainer – wall mount.

Installing Fascia Mecho/3 & 5 (regular roll shades only)

Hook the short leg of the SnapLoc® fascia into the notch located in the center of each of the bracket bases. Push the top of the SnapLoc fascia onto the top of the brackets, until you hear it snap into place, which will lock it onto the brackets.

Radius and Square Fascia Installation:

A The bottom 1 (short leg) must be installed first.

B Then snap the top 2 (long leg) into place.

NOTE: Installing in reverse (wrong) order i.e. top first and bottom second, the fascia will spread and not lock properly onto the bracket.

NOTE: ID measurements do not change shade size, but like fabric, fascia is cut 1/8" smaller to allow for installation clearance. If full size fascia is needed, please write "O.D." when writing order.

To Tighten or Loosen SnapLoc Fascia:

Fascia is supplied from the factory with a standard profile of 90°.

A To tighten: Compress (decrease) the angle of the fascia.

B To loosen: Spread (increase) the angle of the fascia.

NOTE: Shipping and handling may slightly bend the fascia open (loose) or closed (tight). Please adjust as described above.

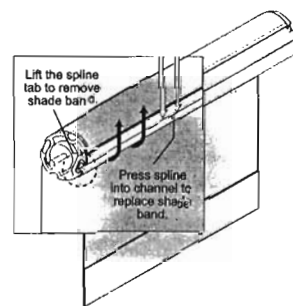
Maintenance

ShadeCloth Maintenance

The ShadeCloth is washable and it is recommended that it be cleaned annually. To maintain the shade-cloth properly, use a static-eliminating chemical on a dry mop to occasionally wipe down the fabric and free it of dust. If for any reason the shade-cloth should become spotted, such as grease, etc., simply use a mild soap and water solution to "spot" the stained area.

Changing the ShadeCloth on Mecho/5

Remove the top Stop Bead and lower the shade so that the SnapLoc® Spline is visible. The spline, which is welded to the ShadeCloth, is removed from the tube by lifting the top of the spline away from the tube and then lifting the shade out and away from the spline slot. A new shade band attaches by inserting the bottom of the SnapLoc Spline into the bottom of the channel on the tube and pressing the spline into the slot on the tube. Adjust the shade height and reset the top Stop Bead.



SnapLoc® Spline and ShadeCloth

Mecho Brackets and Chain Maintenance

Shade brackets require no maintenance other than the rare repair of a broken chain. If the chain breaks it can be repaired by splicing with a chain connector or invisibly spliced by utilizing a pair of bead-chain splice pliers. If a new chain is required, the length required is twice the height of the shade unit minus 2 inches. The chain is inserted into the bottom channel of the drive-end bracket and led around the sprocket. To guide the chain into the offset position slot, insert a thin plug into the chain slot to be bypassed. Use the chain clasp supplied by MechoShade to attach one end of the chain to the other. Bead Stops that were attached to the old chain should be positioned in the same places on the new chain or use new bead stops.